

Part Number: PT908-47162

Kit Contents

Item #	Quantity Reqd.	Description
1	1	Cargo Tray
2	1	Seat Back Cover – driver side
3	1	Seat Back Cover – pass. side

Hardware Bag Contents

Item #	Quantity Reqd.	Description
1		
2		
3		

Additional Items Required For Installation

Item #	Quantity Reqd.	Description
1		
2		
3		

Conflicts

Vehicles with spare tire

Recommended Tools

Personal & Vehicle Protection	Notes
Cover or blanket	
Special Tools	Notes
None	
Installation Tools	Notes
Flat-tip screwdriver or needle-nose pliers	
Special Chemicals	Notes
None	

General Applicability

Vehicles with tire inflation kit only (no spare tire)

Recommended Sequence of Application







Item #	Accessory
1	Cargo Tray
2	Cargo Net
3	

*Mandatory

Vehicle Service Parts (may be required for reassembly)

Item #	Quantity Reqd.	Description
1		
2		
3		

Legend

	STOP: Damage to the vehicle may occur. Do not proceed until process has been complied with.
	OPERATOR SAFETY: Use caution to avoid risk of injury.
	CAUTION: A process that must be carefully observed in order to reduce the risk of damage to the accessory/vehicle and to ensure a quality installation.
	TOOLS & EQUIPMENT: Used in Figures calls out the specific tools and equipment recommended for this process.
	REVISION MARK: This mark highlights a change in installation with respect to previous issue.
	SAFETY TORQUE: This mark indicates that torque is related to safety.

Care must be taken when installing this accessory to ensure damage does not occur to the vehicle. The installation of this accessory should follow approved guidelines to ensure a quality installation.

These guidelines can be found in the "Accessory Installation Practices" document.

This document covers such items as:-

- Vehicle Protection (use of covers and blankets, cleaning chemicals, etc.).
- Safety (eye protection, rechecking torque procedure, etc.).
- Vehicle Disassembly/Reassembly (panel removal, part storage, etc.).
- Electrical Component Disassembly/Reassembly (battery disconnection, connector removal, etc.).

Please see your Toyota dealer for a copy of this document.

1. Prepare for the Install.

- (a) Open the package and check the part for damage and kit contents, including the adapter pads attached to the seat back covers.
- (b) Open the rear hatch door and remove any stored items and debris from the cargo area.
- (c) Place vehicle protection over the rear bumper.
- (d) Open both the rear driver and rear passenger doors and lower the seatbacks down.

2. Modify the Cargo Floor.

- (a) Remove the cargo floor from the vehicle and place it upside down on a clean, dry surface (Fig. 2-1).

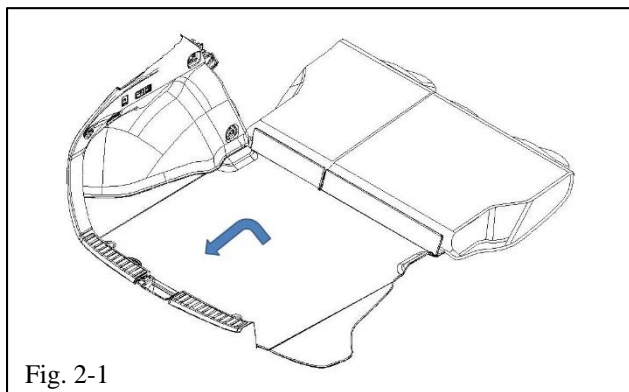
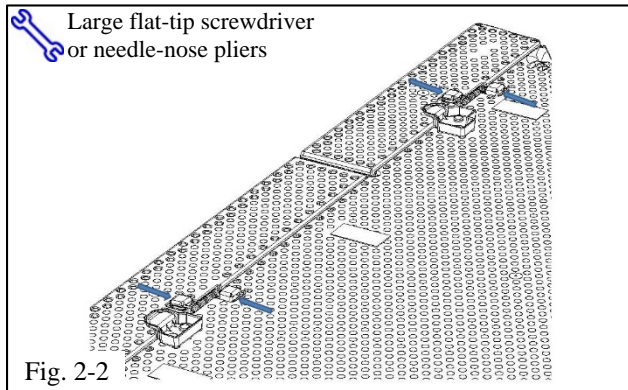
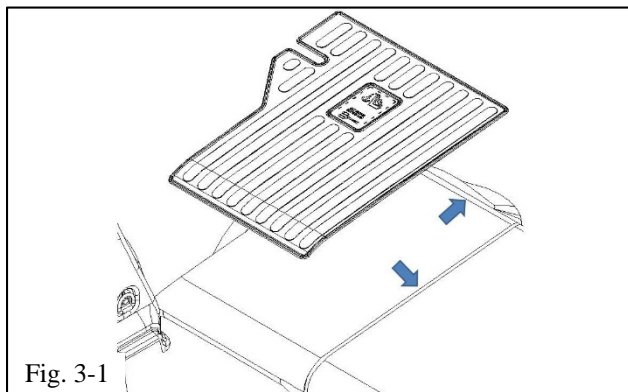


Fig. 2-1

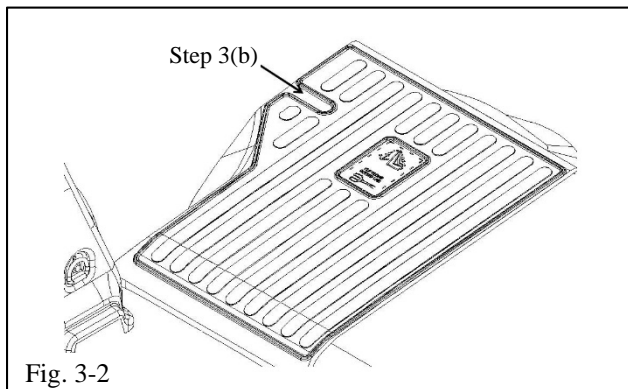


- (b) Locate the two spring assemblies on the back of the cargo floor. Insert either a large flat-tip screw driver or needle-nose pliers into the rectangle openings (Fig 2-2).
- (c) Rotate the tool to remove the attachment.
- (d) Repeat on each spring holder to remove them entirely.
- (e) Place the two spring assemblies into a zip-lock bag and place the bag in the glove compartment.
- (f) Leave the cargo floor out of the vehicle while performing the next steps.

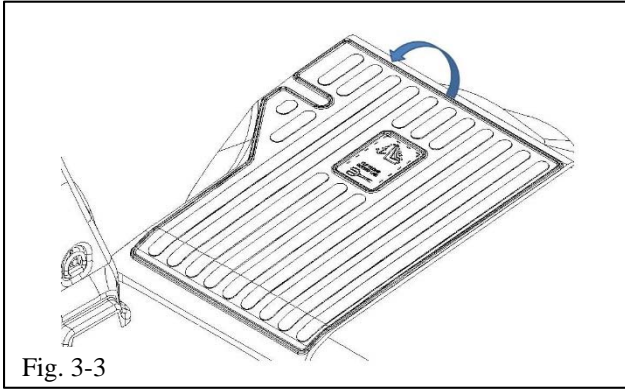
3. Install the Seatback Covers.



- (a) Before removing the white covers from the adapter pads, align the driver side seat back cover with the seam lines of the seat back (Fig. 3-1).



- (b) Check to ensure the seat latch is centered in the opening. Adjust the cover if needed (Fig. 3-2).
- (c) Rub firmly along the bottom edge of the cover to secure the hook fastener to the seat.

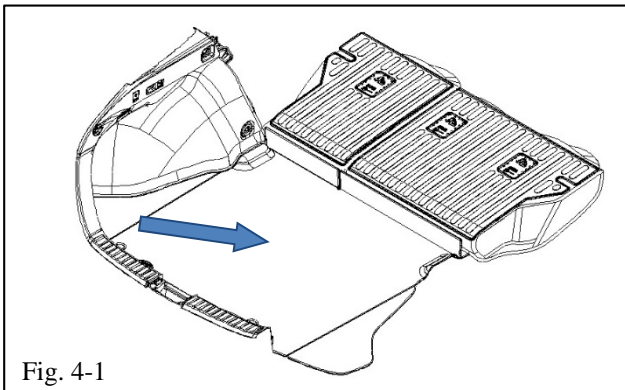


(d) Grasp the front edge of the seat back cover and slowly bend the cover up and rearward to reveal the adapter pads. Remove the white cover from the 5 pads and lower the cover down onto the seat back. Firmly rub the cover over the adapter pad locations to ensure attachment (Fig. 3-3).

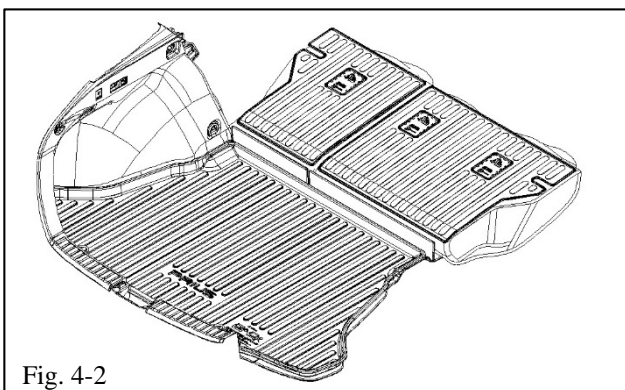
(e) Repeat Steps 3(a) through 3(d) on the passenger side.

⚠ NOTE: The passenger side has 8 adapter pads.

4. Install the Cargo Tray.



(a) Reinstall the vehicle cargo floor that was removed in Step 2(a) and secure it in place (Fig. 4-1).



(b) Place the Cargo Tray in the cargo area with the logo towards the rear of the vehicle and facing up (Fig 4-2).

(c) After installing the tray, ensure all of the edges are pushed down against the floor.

5. Complete the Installation.

(a) Remove the vehicle protection.

(b) Close the doors.

TOYOTA PRIUS 2016 - LOW-DECK CARGO TRAY
Checklist - these points **MUST** be checked to ensure a quality installation.

<u>Check:</u>	<u>Look For:</u>
<p><u>Accessory Function Checks</u></p> <p><input type="checkbox"/> Correct part number installed</p> <p><input type="checkbox"/></p> <p><input type="checkbox"/></p> <p><input type="checkbox"/></p>	<p>Verify part number on package</p>
<p><u>Vehicle Function Checks</u></p> <p><input type="checkbox"/></p> <p><input type="checkbox"/></p> <p><input type="checkbox"/></p>	
<p><u>Vehicle Appearance Check</u></p> <p><input type="checkbox"/> After accessory installation and removal of protective cover(s), perform a visual inspection.</p>	<p>Ensure no damage (including scuffs and scratches) was caused during the installation process. (For PPO installations, refer to TMS Accessory Quality Shipping Standard.)</p>